

Shaker Screen Protector

Buffer Strip for use on Screen Support Bars



Increase shaker screen life with HOLZ Shaker Screen Protector.

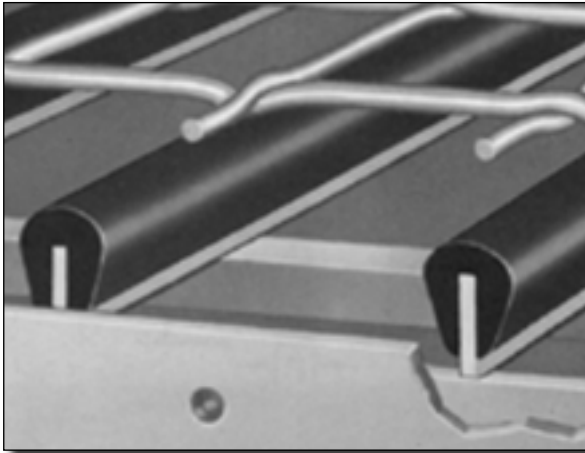


Figure 1

- ABRASION RESISTANT
- RESISTS CUTS & TEARS
- IMPACT RESISTANT
- POSITIVE GRIPPING ACTION

Also described as screen channel, buffer strip, bucket up strip, buffer channel, shaker screen bucket strip, screen cloth protector, bucket up channel and crown bar rubber by various other manufacturers. HOLZ RUBBER has developed four Shaker Screen Protector designs to give exceptional service in all screening applications.

LONGER SCREEN LIFE

HOLZ RUBBER SHAKER SCREEN PROTECTORS increase the life of shaker screens by providing a durable cushion between the bar frame and the screen cloth (Fig. 1). This cushioning action reduces wear on both metal components for greatly reduced maintenance costs and replacement downtime.

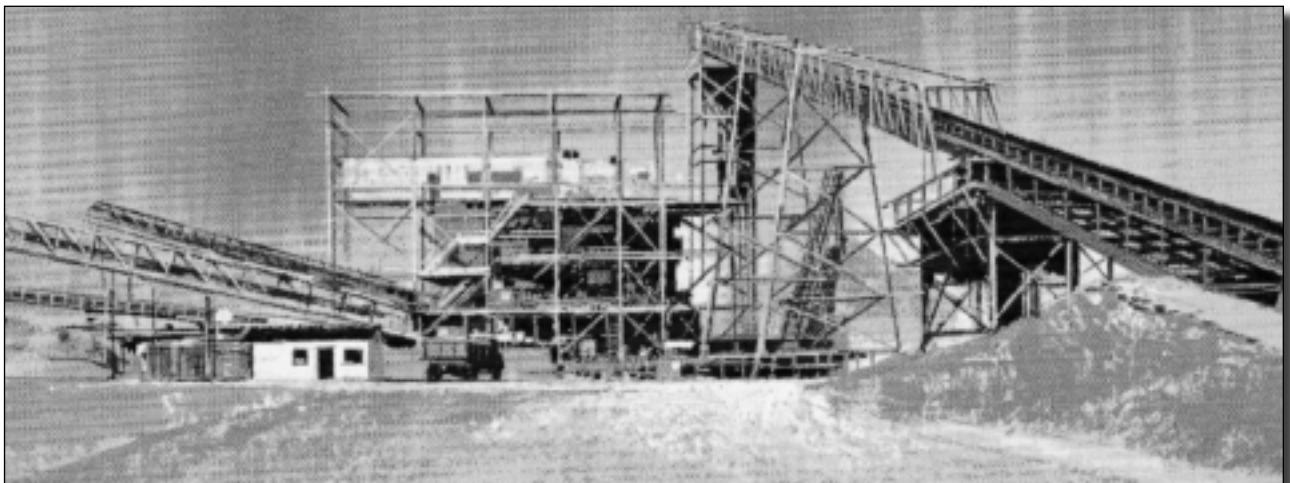
Heavy top thickness on all styles provides extra wear resistance and longer life. HOLZ RUBBER exclusive rubber compounds are designed for resistance to cuts and tears, abrasion, impact and the deteriorating effects of the sun and weathering.

REDUCED NOISE

The tough, long-lasting rubber cushion provided by HOLZ RUBBER Shaker Screen Protector eliminates metal-to-metal contact and results in quieter operation.

EASY INSTALLATION

The HOLZ RUBBER design gives a positive gripping action on the screen bars to reduce installation effort. In addition, it helps keep the protector in place during operation.

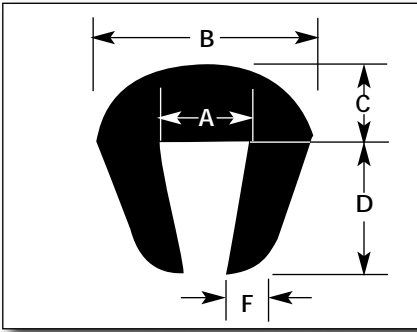


CONVEYOR ACCESSORIES • INDUSTRIAL PRODUCTS IN RUBBER

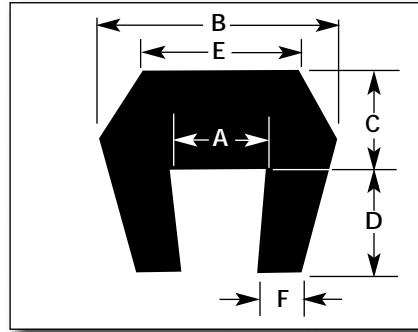
- Pulley Lagging
 - Shaker Screen Channel
- Belting Specialties
 - Chute and Launder Lining
- Roll Covering
 - Idler Sleeves
- Rubber Pulleys
 - Clamping Bars

HOLZ TOLL FREE HOT LINE 800-285-1600

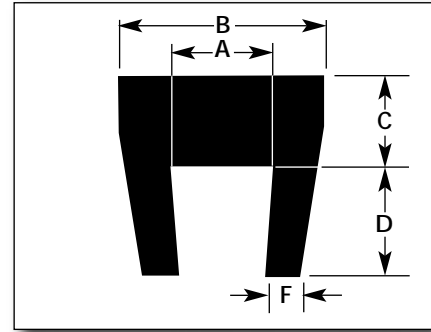
PRODUCT INFORMATION



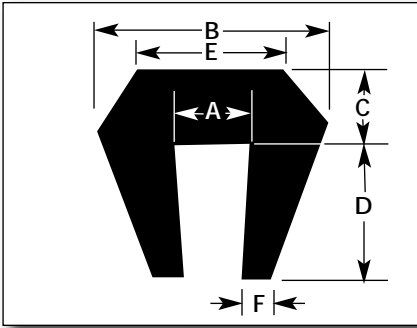
STYLE RT ALL SIZES



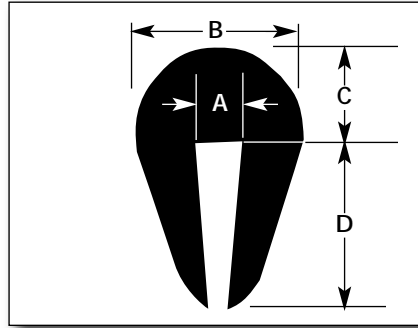
STYLE FT 1/4" - 3/8" - 1/2"



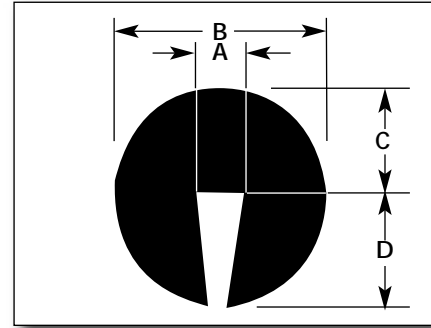
STYLE FT 3/4" ONLY



STYLE LFT 3/8" ONLY



STYLE LRT 3/8" ONLY



STYLE R 3/8" ONLY

	NOMINAL BAR SIZE	APPROXIMATE WEIGHT/FT	DIMENSIONS					
			A	B	C	D	E	F
STYLE RT ROUND TOP	1/4"	0.27 lb.	1/4"	13/16"	3/8"	3/4"	—	3/16"
	3/8"	0.23 lb.	3/8"	13/16"	11/32"	5/8"	—	3/16"
	1/2"	0.25 lb.	1/2"	1"	5/16"	11/16"	—	3/16"
STYLE FT FLAT TOP	1/4"	0.25 lb.	5/16"	13/16"	3/8"	1/2"	9/16"	3/16"
	3/8"	0.28 lb.	3/8"	7/8"	3/8"	1/2"	9/16"	3/16"
	1/2"	0.33 lb.	1/2"	1-1/16"	3/8"	1/2"	13/16"	3/16"
	3/4"	0.51 lb.	3/4"	1-1/2"	5/8"	3/4"	—	1/4"
STYLE LRT ROUND TOP	3/8"	0.82 lb.	3/8"	1-1/4"	5/8"	1-1/2"	—	—
STYLE LFT FLAT TOP	3/8"	0.55 lb.	3/8"	1-1/4"	5/8"	3/4"	13/16"	3/16"
STYLE R ROUND	3/8"	0.53 lb.	3/8"	1-1/4"	9/16"	5/8"	—	—

ADDITIONAL INFORMATION

COMPOUNDS, SPECIAL CONSTRUCTIONS, TOLERANCES

Standard Constructions	Black SBR durometer 75 - 5 Black EPDM, durometer 75 - 5
Special Constructions	Several other compounds and/or durometers are available on request for special service conditions.
Standard Package and Length Tolerances	100' Standard Length, +5' -0' — ALL STYLES

1129 South Sacramento Street • Call Box 241002
 Lodi, CA 95241 USA
 Phone: 209-368-7171 • Fax 209-368-3246
 Phone: (U.S. & Canada) 1-800-285-1600
 Fax: (U.S. & Canada) 1-800-756-9998
<http://www.holzrubber.com>
 E-mail: sales@holzrubber.com

Distributed by: